

# **Vinobox©40 1T**

# **Vinobox©40 2T**

## **INSTRUCTION MANUAL FOR WINE COOLER**

Thanks for buying our wine cooler, Hope our advanced product will give your wine a different joyful taste.  
Before use, pls read and follow all safety rules and operating instructions.

### **WARNING**

- To prevent damaging the door gasket, make sure to have the door all the way opened when pulling shelves out of the rail compartment.
- The appliance must be positioned so that the plug is accessible. Release the electric cord. Move your cabinet to its final location. Do not move your Cabinet while loaded with wine. You might distort the body. The wine cellar should be installed in a suitable place in order to avoid Touching the compressor with the hand.
- If the supply cord is damaged, it must be replaced by manufacturer of its Service agent or a similarly

### IMPORTANT SAFETY INSTRUCTIONS



To reduce the risk of fire, electrical shock, or injury when using your appliance, follow these basic precautions:

- Read all instructions before using the Wine cooler.
- **DANGER or WARNING:** Risk of child entrapment.  
Child entrapment and suffocation are not problems of the past. Junked or abandoned appliances are still dangerous . . . even if they will “just sit in the garage a few days”.
- **Before you throw away your old Wine cooler:** Take off the door. Leave the shelves in place so that children may not easily climb inside.
- Never allow children to operate, play with, or crawl inside the appliance.
- Never clean appliance parts with flammable fluids. The fumes can create a fire hazard or explosion.
- Do not store or use gasoline or any other flammable vapors and liquids in the vicinity of this or any other appliance. The fumes can create a fire hazard or explosion.

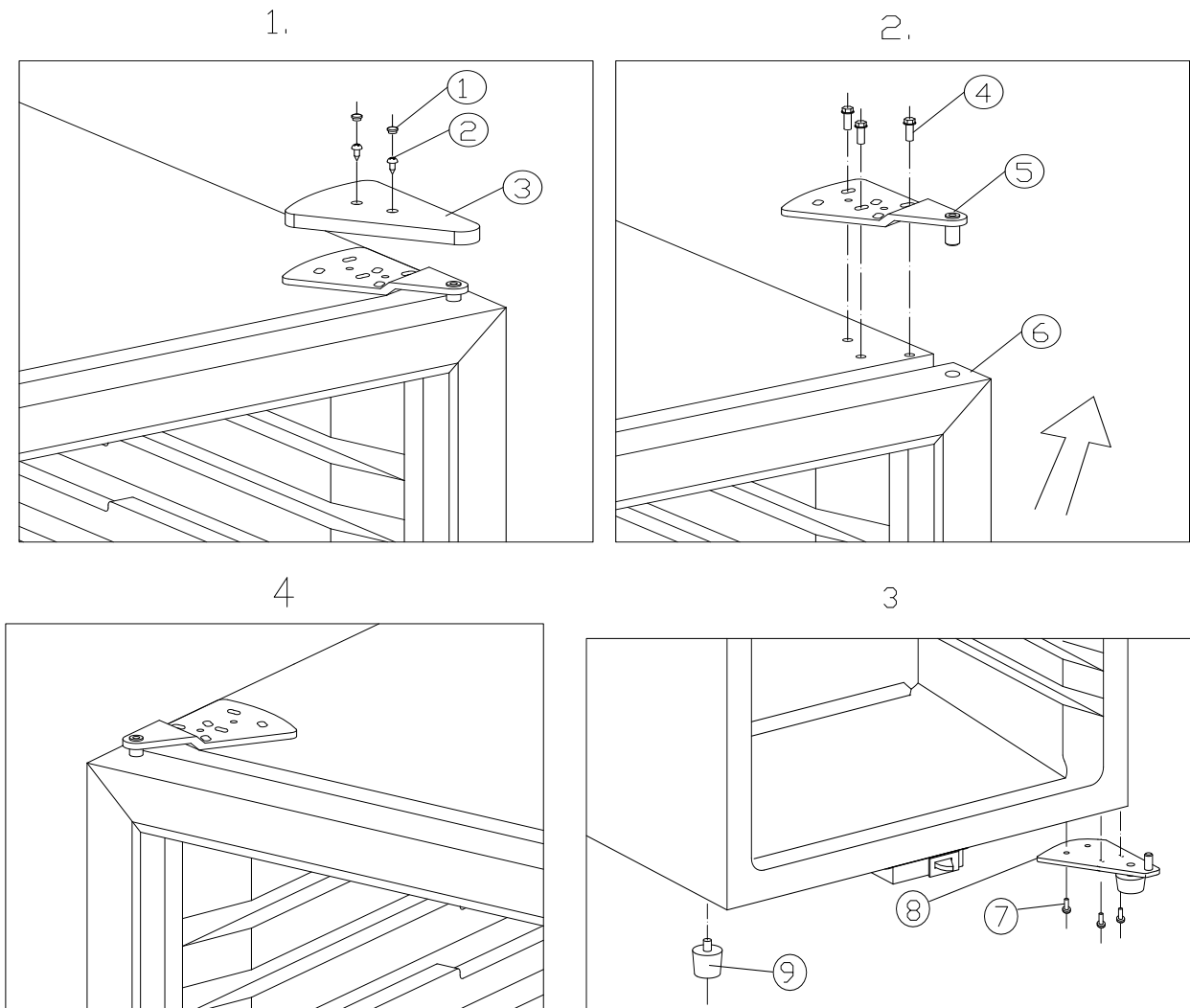
**-Save these instructions-**

### INSTALLATION INSTRUCTIONS

- **Before Using Your Wine Cooler**
  - Remove the exterior and interior packing.
  - Before connecting the Wine cooler to the power source, let it stand upright for approximately 2 hours. This will reduce the possibility of a malfunction in the cooling system from handling during transportation.
  - Clean the interior surface with lukewarm water using a soft cloth.
  - When replace the illuminating lamp, please select the lamp which comply with the rated power input of lamp according to the rating label. Shut off the power supply before replacing the lamp.
  - When disposing your appliance, please choose an authorized disposal site.
- **Installation of Your Wine Cooler**
  - This appliance is designed to be for free standing installation only.
  - Place your Wine cooler on a floor that is strong enough to support it when it is fully loaded. To level your Wine cooler, adjust the front leveling leg at the bottom of the Wine cooler.
  - Locate the Wine cooler away from direct sunlight and sources of heat (stove, heater, radiator, etc.). Direct sunlight may affect the acrylic coating and heat sources may increase electrical consumption. Extreme cold ambient temperatures may also cause the unit not to perform properly.
  - Avoid locating the unit in moist areas.
  - Plug the Wine cooler into an exclusive, properly installed-grounded wall outlet. Do not under any circumstances cut or remove the third (ground) prong from the power cord. Any questions concerning power and/or grounding should be directed toward a certified electrician or an authorized Products service center.

➤ **Reverse The Door**

This appliance has the capability of the door opening from either the left or right side. The unit is delivered to you with the door opening from the left side. If you want to change the door opening form one side to the another side, please follow below.



1 Rubber cover

4 & 7 Screw

8 Lower hinge module

2 Screw

5 Top hinge module

9 Cabinet's leg-short

3 Decorative cover

6 Door

- Pull out the screw covers and unscrew the decorative cover. (Fig.1)
- While holding the door firmly, loosen and remove the top hinge, lift up and remove the door (See Fig.2)
- Unscrew the lower hinge (8).
- Remove the long cabinet leg (9) on the left side, and shift it to the right end side. (Fig. 3)
- Install the lower hinge and tie it with the bolts.
- Install the door on the axe of lower hinge (8) the same way it was removed, screw back the top hinge on the right
- Fix back the decorative cover and rubber cover.

➤ **Attention**

- Store wine in sealed bottles.
- Do not overload the cabinet.
- Do not open the door unless necessary
- DO not cover shelves with aluminum foil or any other shelf material which may prevent air circulation.
- Should the Wine cooler be stored without use for long periods it is suggested, after a careful cleaning, to leave the door ajar to allow air to circulate inside the cabinet in order to avoid possible formations of condensation, mold or odors.

➤ **Operating your Wine Cooler**

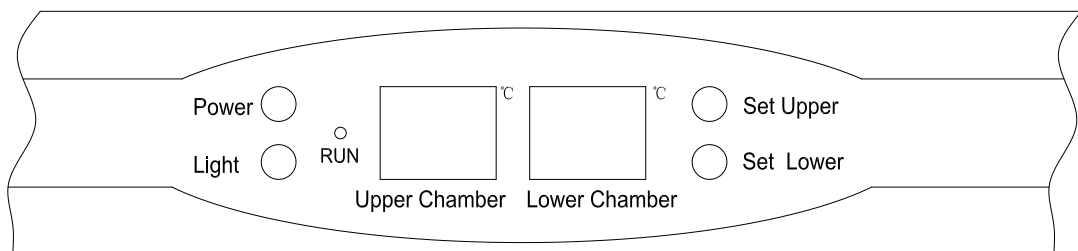
These Wine Cooler should be placed in where the ambient temperature is between 5-32°. If the ambient temperature is above or below this range, the performance of the unit may be affected. For example, placing your unit in extreme cold or hot conditions may cause interior temperatures to fluctuate. The range may not be reached.

➤ **The Controls of Your Wine Cooler**

Vinobox<sup>®</sup>.C40 1T

- When power is connected and wine cooler is working normally the LED on the circuit board will flash, and the display will be show the actual temperature in cabinet, setting temperature range is 5-18°.
- The temperature adjustor. You press the temperature button, the temperature will be increase or reduce 1°.
- LED will flash when you setting temperature, when you stop the setting, LED will flash 5 seconds and then show the actual temperature.
- Light control for your wine cooler. The light will turn on when open the door, the light will turn off when close the door

Vinobox<sup>®</sup>.C40 2T



- **“Light”** Button

Control the interior light ON/OFF

- **“RUN”**

When it's ON, the cooling system runs.

- **“Power”** Button

control this appliance turn on/off. ( press and hold this buttons for approximately 3 seconds);

- **“Set Upper”** Button

The temperature setting can be adjusted from 5° to 10° (41° to 50°).

When pressing this button, the system will be entering the set up mode in the upper compartment automatically. The LED will flashing and display the setting temperature.

Press once the button, the temperature will decrease 1 °(or 1°). When exceeding the minimum value that

can be established, it will jump to the highest adjustable temperature value automatically. After stopping pressing the button for 5 seconds, LED figure will stop flash, then revert back to display the temperature of the upper compartment.

- **“Set Lower” Button**

Set up the temperature in lower compartment: The temperature setting can be adjusted from 10□ to 18□ (50□ to 64□).

When pressing this button, the system will be entering the set up mode in the upper compartment automatically. Setting details same as above.

- **“Upper chamber”**

Display the actual temperature in upper compartment.

- **“Lower Chamber”**

Display the actual temperature in lower compartment.

- After the unit is unplugged, the system will return to acquiescence temperature, which setting by factory. The acquiescence temperature as below:

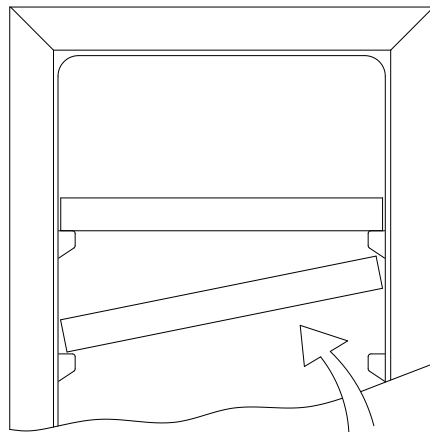
Upper compartment: 6 □

Lower compartment: 12 □

- If want reveal every indoor setting temperature, please corresponding to press " **Set Upper** " or " **Set Lower** " button, the LED will flash and display the setting temperature. After stopping pressing the button for 5 seconds, LED figure will stop flash, then revert back to display the actual temperature.

➤ **Adjusting/Removing The Shelves**

- To prevent damaging the door gasket, make sure to have the door all the way opened when pulling shelves out of the rail compartment.
- For easy access to the storage content, you must pull the shelves approximately 1/3 out of the rail compartment, however this unit was designed with a notch on each sides of the shelf tracks to prevent bottles from falling.
- To fit or remove the shelf, tilt the shelf as per the diagram and simply pull out, or push in the shelf until it sits on the support brackets securely.



➤ **Note:**

- If the unit is unplugged, power lost, or turned off, you must wait 3 to 5 minutes before restarting the unit. If you attempt to restart before this time delay, the Wine Cooler will not start.
- When you use the wine Cooler for the first time or restart the wine Cooler after having been shut off for a long time, there could be a few degrees variance between the temperature you select and the one indicated on the LED readout. This is normal and it is due to the length of the activation time. Once the wine Cooler is running for a few hours everything will be back to normal.

## CARE AND MAINTENANCE

### ➤ **Cleaning Your Wine Cooler**

- Turn off the power, unplug the appliance, and remove all items including shelves and rack.
- Wash the inside surfaces with a warm water and baking soda solution. The solution should be about 2 tablespoons of baking soda to a quart of water.
- Wash the shelves with a mild detergent solution.
- Wring excess water out of the sponge or cloth when cleaning area of the controls, or any electrical parts.
- Wash the outside cabinet with warm water and mild liquid detergent. Rinse well and wipe dry with a clean soft cloth.

### ➤ **Power Failure**

- Most power failures are corrected within a few hours and should not affect the temperature of your appliance if you minimize the number of times the door is opened. If the power is going to be off for a longer period of time, you need to take the proper steps to protect your contents.

### ➤ **Vacation Time**

- **Short vacations:** Leave the Wine Cooler operating during vacations of less than three weeks.
- **Long vacations:** If the appliance will not be used for several months, remove all items and turn off the appliance. Clean and dry the interior thoroughly. To prevent odor and mold growth, leave the door open slightly: blocking it open if necessary.

### ➤ **Moving Your Wine Cooler**

- Remove all items.
- Securely tape down all loose items (shelves) inside your appliance.
- Turn the adjustable leg up to the base to avoid damage.
- Tape the door shut.
- Be sure the appliance stays secure in the upright position during transportation. Also protect outside of appliance with a blanket, or similar item.

### ➤ **Energy Saving Tips**

- The Wine Cooler should be located in the coolest area of the room, away from heat producing appliances, and out of the direct sunlight.

➤ **Troubleshooting Guide**

Problem	Possible Cause
Wine cooler does not operate	No plugged in. The appliance is turned off. The circuit breaker tripped or a blown fuse.
Wine cooler is not cold enough	Check the temperature control setting. External environment may require a higher setting. The door is opened too often. The door is not closed completely. The door gasket does not seal properly.
Turns on and off frequently	The room temperature is hotter than normal. Overload of the cabinet The door is opened too often. The door is not closed completely. The temperature control is not set correctly. The door gasket does not seal properly.
The light does not work	Not plugged in. The circuit breaker tripped or a blown fuse. The bulb has burned out. The light button is "OFF"
Vibrations	check to sure that the wine cooler is level.
Too much noise	The rattling noise may come form the flow of the refrigerant, which is normal. As each cycle ends, you may hear gurgling. Contraction and expansion of the inside walls may cause popping and crackling noises. The wine cooler is not level.
The door will not close properly	The wine cooler is not level. The door was reversed and not properly installed. The gasket is dirty. The shelves are out of position.